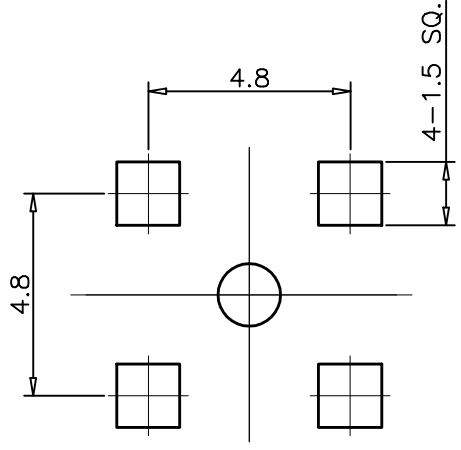
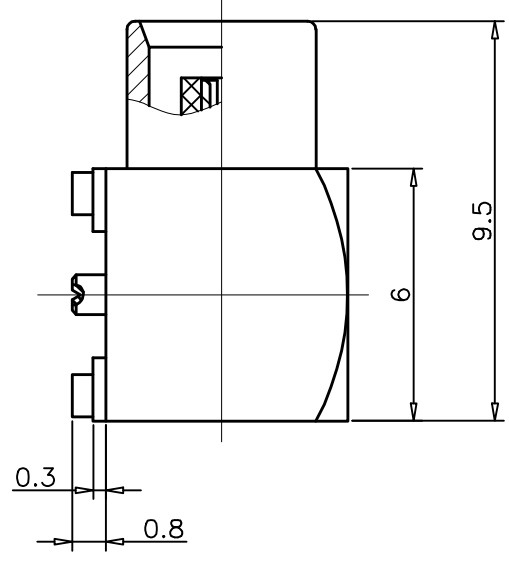


1	2	3	4	
RevNo	Revision note	Date	Signature	Checked
00	Sketch Only	5/19/14	Teresa	Simon



mounting detail



Interface Per: IEC 60169-36, CECC 22220

Material & Finishing:

1. Center condutor: Beryllium Copper, Gold Plating
2. Insulators: PTFE
3. Body : Brass, Gold Plating

RoHS Compliant.

ALL DIMENSIONS ARE IN MILLIMETERS AND [INCHES]

KERUI ELECTRONIC CO;LTD

Title
MCX female right angle
SMT mounted receptacle

THESE DRAWING & SPEC. ARE THE PROPERTY OF KERUI ELECTRONIC CO;LTD AND SHALL NOT BE REPRODUCED, OR COPIED OR USED AS THE BASIS FOR THE MANUFACTURE OR SALE OF APPARATUS OR DEVICES WITHOUT THEIR EXPRESS WRITTEN CONSENT.

UNLESS OTHERWISE NOTED ALL SURFACES FINISHED TO 64/MAX.
ALL TOLERANCES ARE:
DECIMALS FRACTIONS ANGLES
x ± 1.0 ±1/64 x' ± 1'
x.x ± 0.5 x'x' ± 0.5°
x.xx ± 0.1

Drawn by Teresa	Ckd by Simon	Appd by Richard	Date 5/19/2014
--------------------	-----------------	--------------------	-------------------

Scale 6:1	Sheet 1 of 1	06 1021 031 02
--------------	--------------	----------------